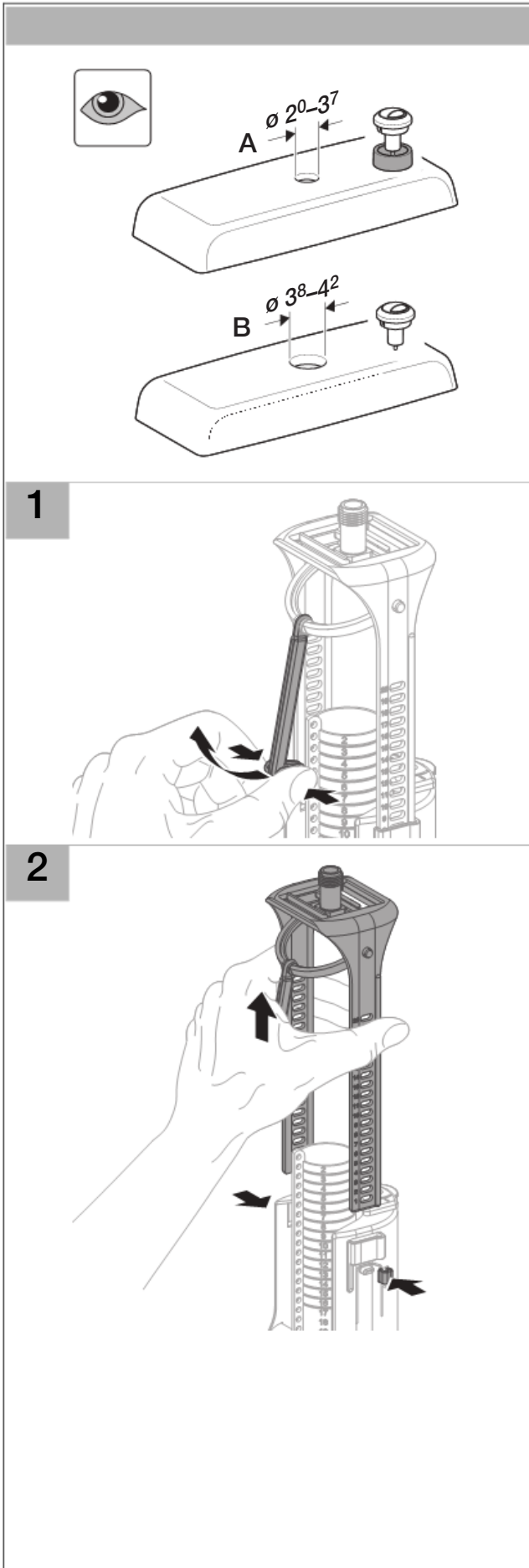


Installation



3

| H [mm] | Pos. |
|--------------------------|-------------|
| A: 309–364 B: 309–378 | |
| A: 365–435 B: 379–449 | |

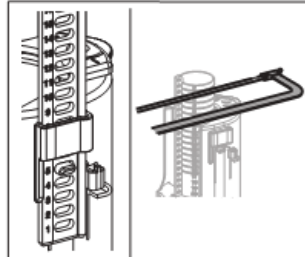
4A

Example

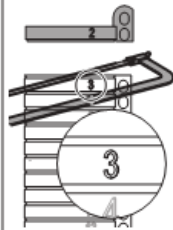
| H | Pos. | Pos. |
|--------------|------|------|
| 309 - 315 mm | 18 | 10 |
| 316 - 322 mm | 17 | 9 |
| 323 - 329 mm | 16 | 8 |
| 330 - 336 mm | 15 | 7 |
| 337 - 343 mm | 14 | 6 |
| 344 - 350 mm | 13 | 5 |
| 351 - 357 mm | 12 | 4 |
| 358 - 364 mm | 11 | 3 |
| 365 - 371 mm | 10 | |
| 372 - 378 mm | 9 | |
| 379 - 385 mm | 8 | |
| 386 - 392 mm | 7 | |
| 393 - 399 mm | 6 | |
| 400 - 406 mm | 5 | |
| 407 - 413 mm | 4 | |
| 414 - 420 mm | 3 | |
| 421 - 427 mm | 2 | |
| 429 - 435 mm | 1 | |

4B

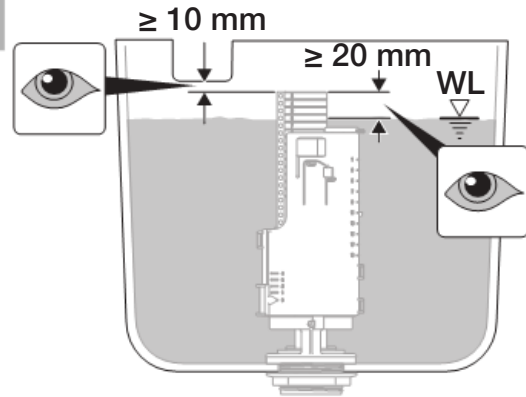
Example



| H | Pos. | Pos. |
|--------------|------|------|
| 309 - 315 mm | 20 | 12 |
| 316 - 322 mm | 19 | 11 |
| 323 - 329 mm | 18 | 10 |
| 330 - 336 mm | 17 | 9 |
| 337 - 343 mm | 16 | 8 |
| 344 - 350 mm | 15 | 7 |
| 351 - 357 mm | 14 | 6 |
| 358 - 364 mm | 13 | 5 |
| 365 - 371 mm | 12 | 4 |
| 372 - 378 mm | 11 | 3 |
| 379 - 385 mm | 10 | |
| 386 - 392 mm | 9 | |
| 393 - 399 mm | 8 | |
| 400 - 406 mm | 7 | |
| 407 - 413 mm | 6 | |
| 414 - 420 mm | 5 | |
| 421 - 427 mm | 4 | |
| 429 - 435 mm | 3 | |
| 436 - 442 mm | 2 | |
| 443 - 449 mm | 1 | |

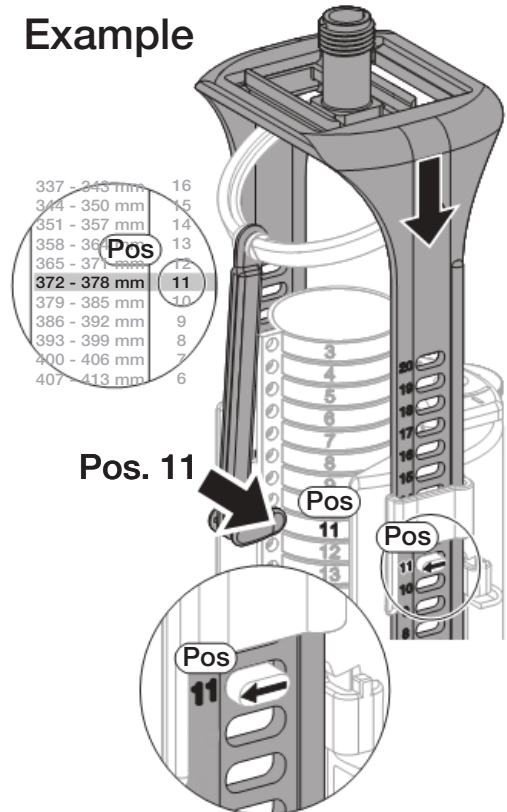


1



2

Example



3

