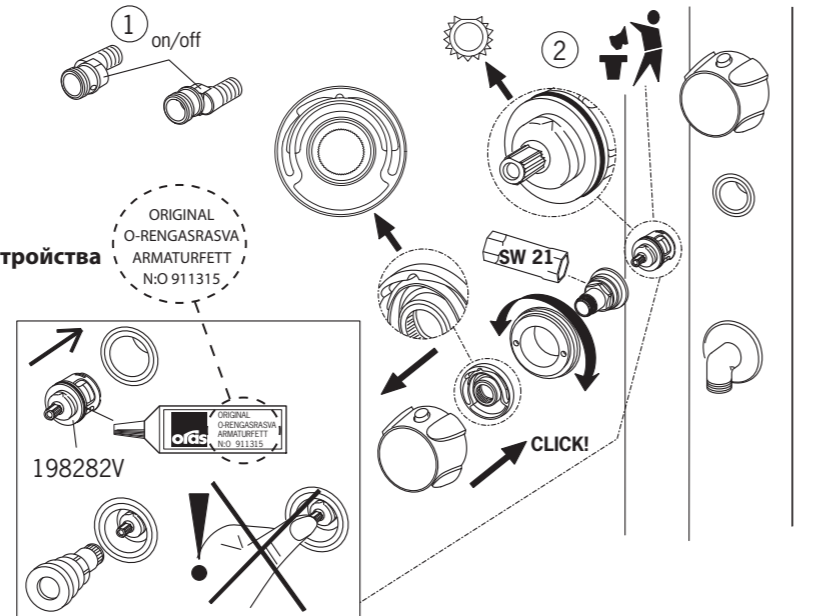
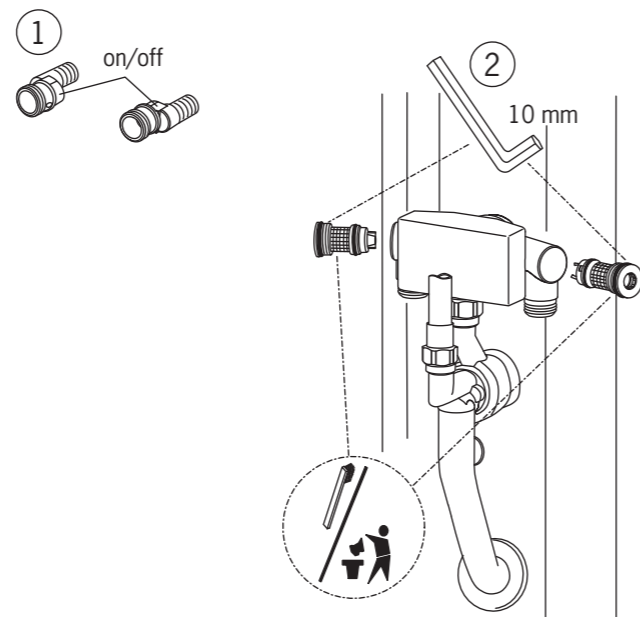


- Auswechseln der Mischkartusche
- Changing the diverter cartridge
- Udsiftning af omskifterdelen
- Vahetaja / seadeosa vahetus
- Vaihdin/säätöosan vaihto
- Triseju vārsta tīrīšana/maiņa
- Perjungėjo valdymo kasetės pakeitimas
- Bytting av omkaster kassett
- Замена узла регулировки переключающего устройства
- Byte av reglerkassett i styrenheten

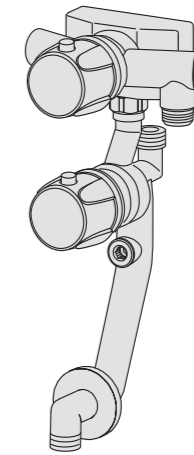


- Reinigung/Wechsel der Filter
- Cleaning/changing the litter filters
- Rensning/udsiftning af filtre
- Prügipüüduri puhastamine/vahetamine
- Roskasiivilöiden puhdistaminen/vaihtaminen
- Dubļu filtru tīrīšana/maiņa
- Filtrų valymas ar pakeitimas
- Rensning/bytting av filter
- Очистка и замена уплотнительных фильтров
- Rengöring/byte av smutsfilter



Installation and Maintenance Guide

7472



Water Is Worth Loving.



Oras is a significant developer, manufacturer and marketer of kitchen and bathroom faucets. Ever since the company's founding in 1945 in Rauma, Finland, Oras has been dedicated to bring products of high quality and design with user-friendly technological solutions to the markets. Each technological improvement is designed to contribute to water and energy savings. As early as in the 1990s, Oras presented the touchless, electronic faucets to the European HVAC markets. Oras' vision is to become the true owner of the electronic faucet markets in Europe.

Oras is entirely owned by a family company Oras Invest. All Oras faucets are produced in Europe, in the company's two factories located in Rauma, Finland and in Olesno, Poland. Likewise the raw material and the components used in production are sourced from European suppliers. For more information, visit www.oras.com

Det Norske Veritas Certification OY/AB certifies that the Quality Management System of Oras Oy in Rauma Finland, conforms to the ISO 9001, the Environmental Management System to the ISO 14001 standard and the Occupational Health and Safety System to the OHSAS 18001 standard. The certificates are valid for development, manufacture, marketing, sales and after sales services of faucets, accessories and valves.





ORAS GROUP
Isometsäntie 2, P.O. Box 40
FI-26101 Rauma
Finland
Puh. +358 2 83 161
Fax +358 2 831 6300
Info.Finland@oras.com

The TÜV CERT Certification Body of TÜV NORD Zertifizierungs- und Umweltgutachter Gesellschaft mbH certifies that the Quality Management System of Oras Olesno Sp. z o.o. in Olesno Poland, conforms to the ISO 9001, the Environmental Management System to the ISO 14001 standard and the Occupational Health and Safety System to the OHSAS 18001 standard. The certificates are valid for manufacture, storage, marketing, sales and after sales services of faucets, valves and accessories.



www.oras.com

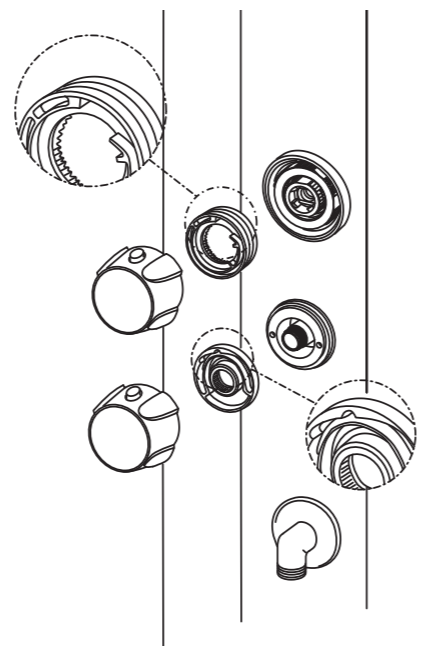
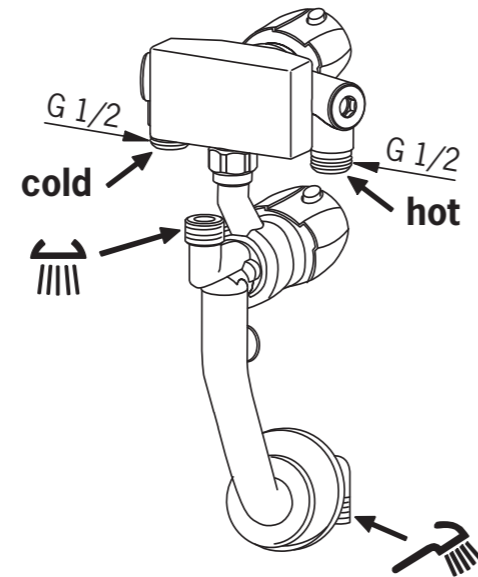
• Technische Daten • Technical data • Tekniske data • Tehnilised andmed • Tekniset tiedot • Dati tecnici • Tehniskie dati
 • Teknisk data • Технические данные • Tekniska data •

Arbeitsdruck Working pressure Arbejdstryk Kasutamissurve Käyttöpaine Darba spiediens Darbinis spaudimas Arbejdstrykk Рабочее давление, кПа Arbetstryck	Durchfluß bei 300 kPa Flow-rate at 300 kPa Vandmængde ved 300 kPa Vooluhulk 300 kPa Virtaama 300 kPa Darba spiediens Darbinis spaudimas Fløde ved 300 kPa Расход воды (300 кПа), л/с Flöde vid 300 kPa	Druckverlust Pressure loss Tryktab Rõhukadu Painehäviö Spiediena zudumi Spaudimo praradimas Trykkfall Потеря давления, кПа Tryckfall	max. Wassertemperatur Water temperature Varmtvands temperatur Vee temperatuur Käyttöveden lämpötila Max üdens temperatūra Maksimali vandens temperatūra Varmtvann Макс. температура горячей воды Varmvattenanslutning	Geräuschklasse Noise class Støjklasse Hääleklass Ääniluokka Trokšņu klase Triukšmo klasi Støyklasse Уровень шума Ljudklass
150 – 1000 kPa	0.25 l/s  0.191 l/s 	190 kPa (0.2 l/s) 330 kPa (0.2 l/s)	max. +80°C	I (ISO 3822)

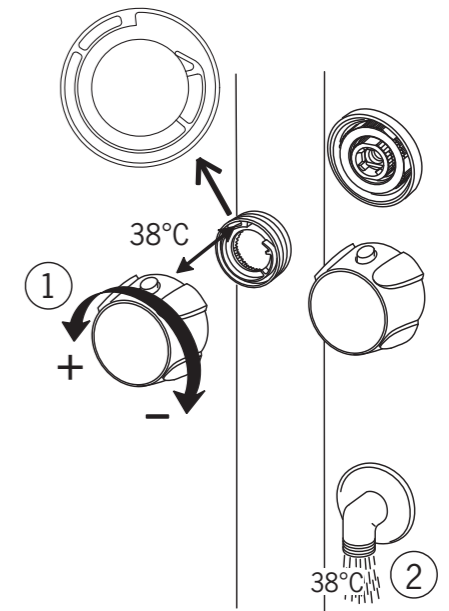
• Funktion • Operation • Betjening • Toimimine
 • Toiminta • Darbības princips • Veikimo principas
 • Funksjon • Принцип действия • Funktion •



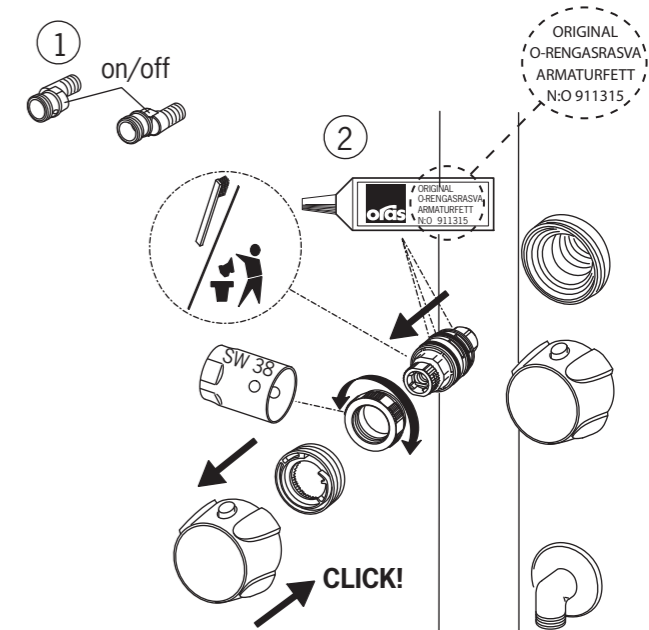
• Montage • Installation • Installation • Paigaldus • Asennus
 • Montāža • Montavimas • Montering • Установка • Installation •



- Temperatureinstellung am Montageort
- Temperature adjustment
- Justering af temperaturen på installationsstedet
- Temperatuuri seadmine vajadusel
- Lämpötilan säätö tarvittaessa
- Temperatūras regulēšana
- Temperatūros nustatymas (gamyklos nustatymas 38°C)
- Justering av temperaturen ved sperreknappens
- Регулировка температуры
- Justering av blandningstemperatur



- Wartung der Kartusche
- Servicing the cartridge
- Service på termostatdelen
- Seadeosa hooldus
- Säättöosan huolto
- Temperatūras regulēšanas kasetes tīrīšana/maiņa
- Termostato techninis aptarnavimas
- Service på termostatdelen
- Техобслуживание узла регулировки
- Service av reglerinsats i blandaren



- Ersatzteile
- Spare parts
- Reservedele
- Varuosad
- Varaosat
- Rezerves daļas
- Atsarginės dalys
- Reservdelar
- Запасные части
- Reservdelar

178870V

